

THAR

Mahindra & Mahindra Ltd., Automotive Sector, Mahindra Tower, 3rd Floor, Akurli Road, Kandivali (E), Mumbai - 400101, India.

Tel: 022-2884 9588, Fax: 022-28468522 | <http://auto.mahindra.com/suv/thar>

All features mentioned are not available on all models. Accessories shown are not a part of the standard equipment. Performance figures may differ in conditions other than test conditions. Vehicle body colour may differ from the printed photograph. In view of our policy of continuously improving our product, we reserve the right to alter specifications or design without prior notice and without liability. We reserve the right to add or delete any feature or elements in any of our models without any prior notice or without any liability. Please check model details with your nearest dealer. Android Auto™ and Apple CarPlay™ are compatible with Android™ and iOS mobile devices respectively. The software and security mechanisms in the vehicle are subject to ongoing development. Like with computers or the operating systems of mobile devices, the software and security mechanisms in the vehicle may also be updated at irregular intervals.



mahindra ^{Rise}

EXPLORE THE IMPOSSIBLE



THAR



THE THAR RIDES WHERE THE ROADS END.

They say, once in every generation comes something that changes the very course of history.

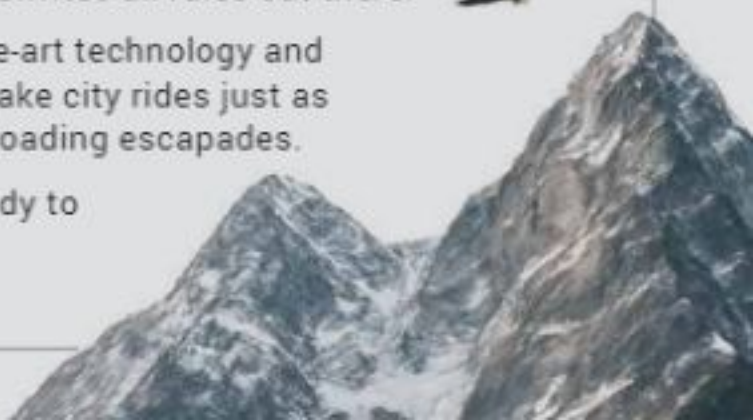
Say hello to the Thar.

The Thar's iconic design gets a contemporary spin in its new avatar giving it an uber-cool and neo-retro appeal.

Performance is the name of the game and with the legendary capability synonymous with its predecessors, the Thar rewrites all rules out there.

Coupled with state-of-the-art technology and new-age features that make city rides just as exhilarating as your off-roading escapades.

Enough said, are you ready to explore the impossible?





THE OUTLINE OF AN ICON.

Ask a child to draw a car and what you'd get is the iconic form factor that's the Thar's identity.

Something that is engraved and etched in every person's mind. Memorability at its finest.



TIMELESS GOOD LOOKS

The Thar retains its iconic front profile, with its new body colored distinctive front grille paired with minimum round headlamps. One look and you'll know what love at first sight really means.



CAPTIVATING LED DRLs

The Thar sports a pair of fender-mounted daytime running LED lamps that give it extra visual oomph from the front.



STYLE MEETS STRENGTH

The Thar marries unmatched performance with an impressive sense of style, thanks to its 45.72 cm R18 alloy wheels.



A BEAST OF A BUMPER

The purpose-built bumpers do away with the paint on their outboard ends to prevent scratches while in the city or the wild. Not to mention that it also comes with a new dual tone.



YOUR OWN PRIVATE COCOON

Prefer your own private cocoon? Here's the hard-top, designed to meet refinement levels that'll make your drive as smooth as a knife sliding through butter.



RETRO IS BACK

The Thar's LED tail lamps enhance visibility and their stylish retro look is sure to catch eyeballs anywhere you go.



THE EARTH IS
UNEVEN FOR A
REASON.

Ragged, uncompromising, tough
these are some of the words used to describe
the Thar's playground.





LEFT FOOT ON LEAVE

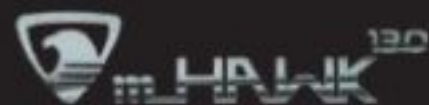
Get your Thar to do some of the heavy lifting. With its 6-Speed Automatic Transmission, shifting through gears is now a breeze. Impossible terrains will just feel like a walk in the park.



GEAR UP. REVHEADS

If you've got a wild streak and fancy pushing the Thar to its limits, the 6-Speed Manual Transmission is the one for you. Enjoy the rush of power in your hands.

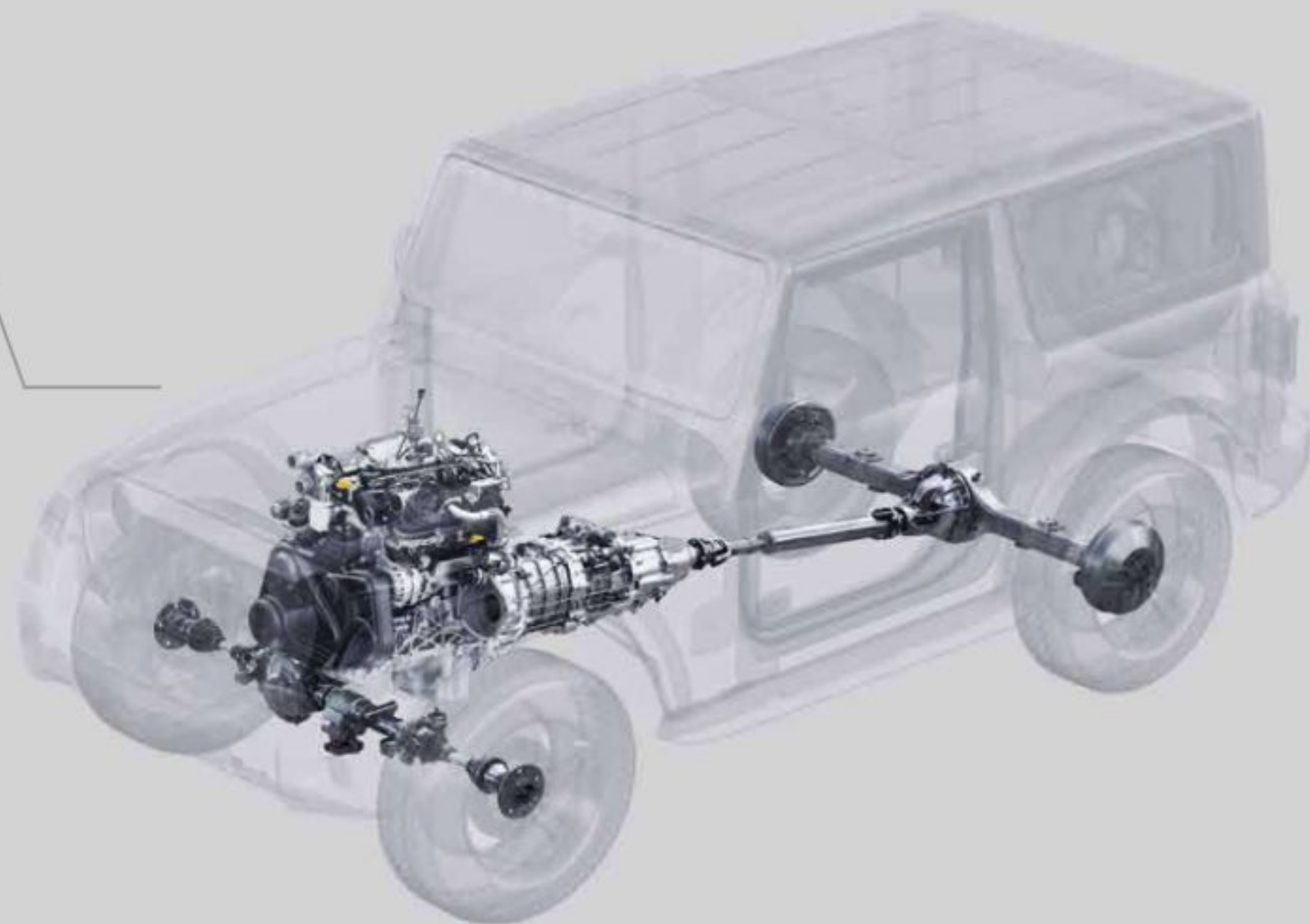
D117



LET THE POWER PLAY BEGIN

Mahindra's next-generation D117 and mHawk 130 Diesel Engines ooze torque and raw power, ready to do your bidding even on the toughest mountain inclines.

From great to greatest, there's no terrain that this diesel-powered behemoth can't conquer.



mSTALLION 150
TGDI

THE THOROUGHbred STALLION

The mStallion 150 is Mahindra's first-ever TGDi Petrol Engine – a spirited, powerful and torquey motor that's perfect for revheads everywhere. The game is about to change with this beast.

SWITCH IT UP

The Thar boasts of a segment-first electric driveline disconnect function for a seamless transition from 4x2 to 4x4 mode.



ALL-TERRAIN SUSPENSION

Enjoy superior off-road traction and confident handling on paved roads with Thar's suspension, featuring an Independent Front Suspension and a Multi-Link Rear Suspension.



GO ANYWHERE

Seamlessly switch into 4x4 mode with the manual shift 4x4 Transfer Case with Low Ratio with a manual shifter that's full of old-school charm.

TRUE BLUE SUV CONSTRUCTION

The Thar's authentic 3rd Generation Body-on-Frame Construction chassis can handle absolutely any terrain without breaking a sweat.

GET A GRIP

Whether there's road or no road, it's not a problem for the Thar's all terrain 255/65 R18 tyres that offer great comfort and grip.

NO SLIP UPS

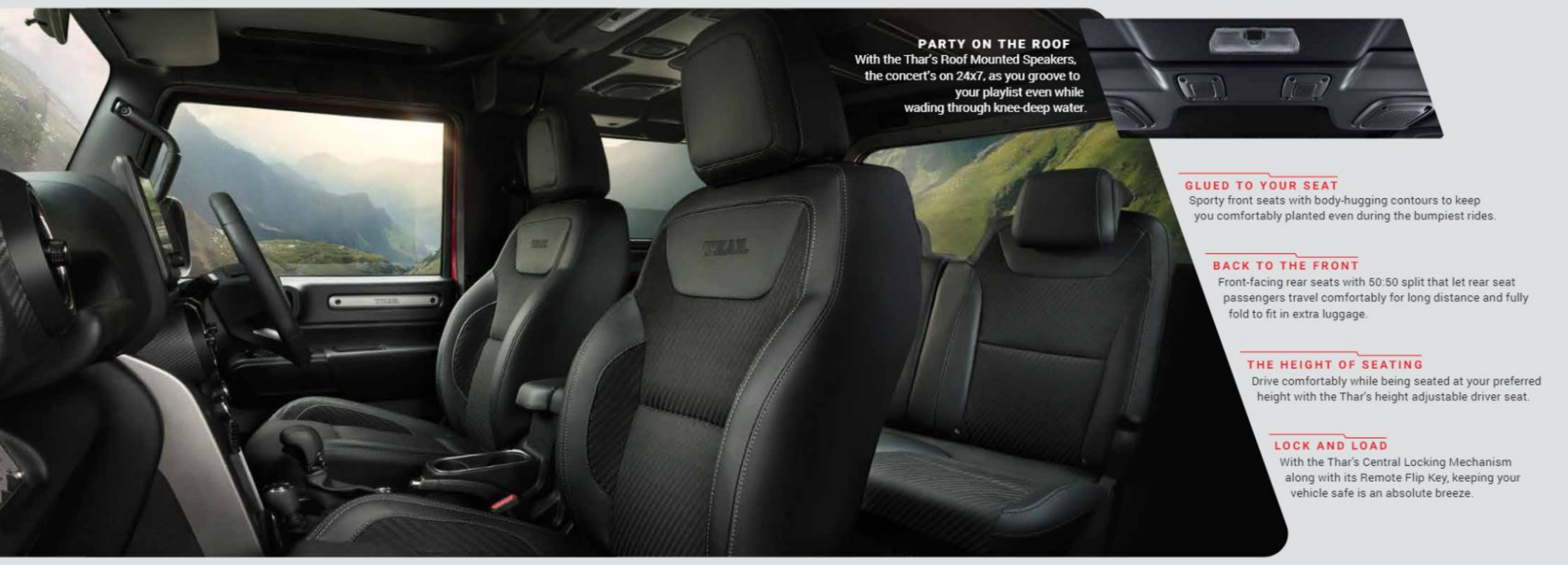
Advanced Electronic Brake Locking Differential that electronically locks up all axles in slippery conditions for maximum traction.



EQUALLY
**BREATHTAKING
VIEWS INSIDE.**

The interiors have everything it takes to make your ride as comfortable and fun as possible.





PARTY ON THE ROOF
With the Thar's Roof Mounted Speakers,
the concert's on 24x7, as you groove to
your playlist even while
wading through knee-deep water.



GLUED TO YOUR SEAT

Sporty front seats with body-hugging contours to keep you comfortably planted even during the bumpiest rides.

BACK TO THE FRONT

Front-facing rear seats with 50:50 split that let rear seat passengers travel comfortably for long distance and fully fold to fit in extra luggage.

THE HEIGHT OF SEATING

Drive comfortably while being seated at your preferred height with the Thar's height adjustable driver seat.

LOCK AND LOAD

With the Thar's Central Locking Mechanism along with its Remote Flip Key, keeping your vehicle safe is an absolute breeze.



OFFROADING? SWITCH THE TECH ON.

The Thar is loaded with state-of-the-art technology, helping you stay in control of your ride at all times and **stay connected with the outdoors.**





TOUCH AND GO

Navigate the terrain or set the mood for your trip with the new Touchscreen Infotainment System with Android Auto, Apple CarPlay and USB. Get all the info about your Thar and your trip with just a few touches.

THE SCIENCE OF ADVENTURE

Monitor all your vital stats and information through the all new Adventure Statistics Gen II system equipped with an altimeter, a compass and a roll & pitch meter. Now you're in total control of your Thar from the inside no matter how bad conditions are outside.



ALWAYS FULLY INFORMED

Keep an eye on all essential ride-related information with the Thar's TFT Multi-Information Display in the cluster. The super convenient display gives you all the info you'll need in a matter of seconds.



Tyre Temperature



3 ▲ ODO 203456 km

KEEP THE PRESSURE ON

The Thar keeps on monitoring the pressure levels of all the four wheels plus the spare with its Tyre Pressure Monitoring System. So that you're always informed about the condition of your tyre, thereby making you and the Thar safe and secure.



SAY HELLO TO YOUR
OFFROADING
PARTNER.

The adrenaline-packed adventures you embark on need an equally safe and secure partner, and the Thar is just that. So, buckle up inside the Thar and **take on the impossible without fear.**



NEW COCKPIT FOR HIGH ALTITUDES

A bold, redesigned dashboard built for clarity and control. Everything you need, right where it should be, because the driver's seat is a command center.



BIGGER SCREEN FOR BIGGER ADVENTURES

A new high-definition 26.03 cm touchscreen that keeps your world within reach. Navigation, entertainment, and vehicle data, delivered with clarity and style.



HOT TRAILS AHEAD. COOL COMFORT BEHIND

Comfort that goes all the way back. Rear AC vents ensure every seat stays cool, even when the trail gets hot.



MORE THAN JUST A GRILLE

Refined doesn't mean restrained. The new body-coloured grille adds a sleek edge to Thar's unmistakably bold front.

OFFROAD. NOT OFF-TRACK

Reverse like you own the place. A crisp rear view camera gives you confidence in every maneuver, on-road or off.



A WINDOW INTO THE WILD

Seamlessly integrated one-touch power windows on the door trim. One tap, full control, because ease should ride shotgun.





YOU'RE IN STABLE HANDS

Enjoy taking sharp turns without fear of nast tumbles with the Thar's ESP with Rollover Mitigation Technology

NO MORE UPHILL STRUGGLES

The Thar comes with a Hill Hold and Hill Descent Control System to assist you and achieve a controlled uphill or downhill journey.

SLEEP LIKE A CHILD

With its ISOFIX Child Seat Mounts, the Thar keeps your little ones snug and safe through all your explorations. So, take them on your adventures and give them a dose of your wild side without any worry at all.



PREPARED FOR EVERYTHING

The Thar meets global crash safety norms and keeps passengers away from harm during collisions with its crash-safety compliant bodyshell.

YOUR PROTECTIVE SHIELD

Built-in interior Roll Cage and 3-Point Seatbelts add structural rigidity to the Thar and safeguard their passengers during a rollover or accident.

CUSHIONED FROM IMPACT

The Thar sports Dual Front Airbags and ABS to protect passengers and safely manoeuvres the vehicle out of the trickiest of situations.

NO SLIP UPS

Advanced Electronic Brake Locking Differential that electronically locks up all axles in slippery conditions for maximum traction

6 EXCITING COLOURS



△ EVEREST WHITE



▽ DEEP FOREST



◀ STEALTH BLACK



△ BATTLESHIP GREY



▽ GALAXY GREY



▽ TANGO RED



120 WAYS TO MAKE A STATEMENT.

Make your Thar as unique as you are with a wide variety of accessories. Get a preview of your Thar with all the personalization options you crave for.

DECKED UP TO IMPRESS

Make your Thar as unique as you are with over 120 genuine accessories – from hardcore off-roading gear to everyday essentials – all designed by the Mahindra Design Studio and engineered at Mahindra Research Valley. Explore the accessories and merchandise catalogue to get inspired, and once you've made your picks, enjoy a 360-degree preview of your personalised Thar.

Technical Specifications	AXT	LXT	
Engine (Diesel)			
Engine	D117 CRDe	D117 CRDe	mHawk 130 CRDe
Engine Capacity (cm ³)	1497	1497	2184
Max Power (kW @ r/min)	87.2@ 3500	87.2@ 3500	97 @ 3750
Max Torque (Nm @ r/min)	300 @ 1750 - 2500	300 @ 1750 - 2500	300 @ 1600-2800
Transmission (Diesel)			
Transmission Type	6-Speed Manual	6-Speed Manual	6-Speed Manual / 6-Speed Torque Converter Automatic
Drive	Rear Wheel Drive (RWD)	Rear Wheel Drive (RWD)	Manual Shift Part-Time 4WD with High & Low Reduction Gear
Front Axle	NA	NA	Semi-Floating with 4.3:1 Final Drive
Rear Axle	Banjo beam with 4.88:1 Final Drive	Banjo beam with 4.88:1 Final Drive	Banjo beam with 4.3:1 Final Drive
Steering	Rack & Pinion Hydraulic Power Steering		
Hub Lock	NA	NA	Automatic
Engine (Petrol)			
Engine	-	mStallion 150 TGDI	
Engine Capacity (cm ³)	-	1997	
Max Power (kW @ r/min)	-	112 @ 5000	
Max Torque (Nm @ r/min)	-	300 @ 1250-3000 (with MT) / 320 @ 1500-3000 (with AT)	
Transmission (Petrol)			
Transmission Type	-	6-Speed Manual / 6-Speed Torque Converter Automatic	
Drive	-	Manual Shift Part-Time 4WD with High & Low Reduction Gear (with MT & AT) or Rear Wheel Drive - RWD (with AT)	
Front Axle	-	Semi-Floating with 4.3:1 Final Drive for 4WD, NA for RWD	
Rear Axle	-	Banjo beam with 4.3:1 Final Drive For 4WD, NA for RWD	
Steering	-	Rack & Pinion Hydraulic Power Steering	
Hub Lock	-	Automatic for 4WD and NA for RWD	

Technical Specifications	AXT	LXT
Suspension, Brakes & Wheels		
Front Suspension	Independent Double Wishbone Front Suspension with Coil Over Damper & Stabiliser Bar	
Rear Suspension	Multilink Solid Rear Axle with Coil Over Damper & Stabiliser Bar	
Brake Specifications	Vacuum Assisted Dual Hydraulic Circuit with Tandem Master Cylinder	
Front Brakes	303 mm Disc	
Rear Brakes	282 mm Drum	
Wheels & Tyres	245/75 R16 Tubeless All-Terrain Tyres	255/65 R18 Tubeless HT Tyres (RWD) / AT Tyres (4WD)
Dimensions		
Length (mm)	3985	
Width (mm)	1820	
Height (mm)	1850	1855
Wheelbase (mm)	2450	
Front Track (mm)	1520	
Rear Track (mm)	1520	
Ground Clearance (mm)	226	
Approach Angle	41.2 degree	
Departure Angle	36 degree	
Rampover Angle	26.2 degree	
Water Wading Depth (mm)	650	
Seating Capacity	4-Seater (Front: 2 Forward-Facing, Rear: 2 Front-Facing)	
Fuel Tank Capacity (litre)	D117 CRDe: 45, mHawk 130 CRDe: 57, mStallion 150 TGD: 57	
Diesel Exhaust Fluid Tank (litre)	20 (Applicable only for CRDe engine)	

Features	AXT	LXT
Design		
Roof Top	Hard Top	
Dual Tone Bumpers	✘	✓
Wheels	R16 Steel Wheels	R18 Deep Silver Alloy Wheels with Thar Branding
LED Tail Lamps	✓	✓
Front Fog Lamps	✘	✓
Bonnet Latches	✓	✓
Wheel Arch Cladding	✓	✓
Side Foot Steps	Tubular Steel	Moulded
Fender-mounted Radio Antenna	✘	✓
Tailgate mounted Spare Wheel	✓	✓
Comfort & Convenience		
Seat Upholstery	Vinyl	Fabric
Tilt Adjustable Steering Wheel	✓	✓
Cruise Control	✘	✓
Steering Mounted Audio & Phone Controls	✘	✓
Tip & Slide Mechanism in Co-Driver Seat	✓	✓
Reclining Mechanism, Adjustable Headrests, 50:50 Split in Rear Seat	✓	✓
Height Adjustable Driver Seat	✓	✓
Centre Roof Lamp	✓	✓
12V Accessory Socket	✓	✓
Rear AC vents	✓	✓
Rear Wiper + Washer	✘	✓
Lockable Glovebox	✓	✓
Utility hook in backrest of co-driver seat	✘	✓
Central Locking	✓	✓
Remote Keyless Entry	✓	✓
Rear Demister	✓	✓
Dashboard Grab Handle for Front Passenger	✓	✓
Bottle Holder in Front Doors	✓	✓
Tool Kit Organiser	✓	✓
Illuminated Key Ring	✓	✓
Manual Day-Night IRVM	✓	✓
A Pillar Entry Assist Handle	✓	✓
Internally Opening Fuel Lid	✓	✓
Dead Pedal	✘	Only for AT

Features	AXT	LXT
Technology		
HVAC	✓	✓
Electrically Operated HVAC Controls	✘	✓
HD Touchscreen Infotainment (26.03 cm)	✘	✓
Android Auto™	✘	✓ (Wired + Wireless)
Apple CarPlay™	✘	✓ (Wired)
4 Speakers + 2 Tweeters	✘	✓
MID Display in Instrument Cluster	Monochrome	Coloured
Adventure Statistics Gen II	✘	✓
Tyretronics (Tyre Pressure Monitoring System)	✘	✓
Tyre Direction Monitoring System	✘	✓
Follow-Me-Home & Lead-Me-To-Thar Lamps	✘	✓
One-Touch Lane Change Indicator	✓	✓
Rear Parking Sensors	✓	✓
ORVM Adjustment	Manual	Electric
Power Windows in Front Doors	✓	✓ (Express up/Down)
Off-Road Essentials		
Electric Driveline Disconnect on Front Axle	✘	Only in 4WD
Electronic Brake Locking Differential for RWD	✓	✓
Advanced Electronic Brake Locking Differential	✘	Only in 4WD
Mechanical Locking Differential	✘	Only in 4WD
Washable Floor with Drain Plugs	✓	✓
Welded Tow Hooks in Front & Rear	✓	✓
Tow Hitch Protection	✓	✓
Safety		
ESP with Roll-over Mitigation	✓	✓
Hill Hold & Hill Descent Control	✓	✓
ABS with EBD & Brake Assist	✓	✓
Rear View Camera	✘	✓
Dual Airbags	✓	✓
Seat Belt Reminder	✓	✓
ISOFIX Child Seat Mounts on Rear Seats	✓	✓
Roll Cage	✓	✓
3-Point Seat Belts for Rear Passengers	✓	✓
Snow Chain Provision for Tyres	✓	✘
Speed Sensing Front Door Locks	✘	✓
Panic Braking Signal	✓	✓
Vehicle Over-speed Warning	✓	✓
Passenger Airbag Deactivation Switch	✓	✓